

# DUNAMIC LED DRIVERS

## AC DRIVERS - TINY 3W 350/700MA (40X27.5X56MM)



I+D LED introduces new AC/DC drivers for tiny LED. Available in 300 and 700 mA in constant current output. Pre-wired drivers to facilitate mounting and installation and miniscule size to be hidden inside any small size fixture. Designed for LED power of 1-2.5W. Very attractive module for downlight spots, decorative illumination, furniture, exhibitors or similar where unit price plays a central role. Universal voltage input from 100-240Vac, for usage on different electrical voltages.



In compliance with:

**EN 61347-2-13:2014/EN 61347-1:2015**

**EN 55015:2013+A1:2015/EN 61547:2009**

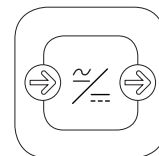
**EN 61000-4-2:2009/EN 61000-4-3:2006+A2:2010**

### APPLICATION



### PRODUCT DESCRIPTION

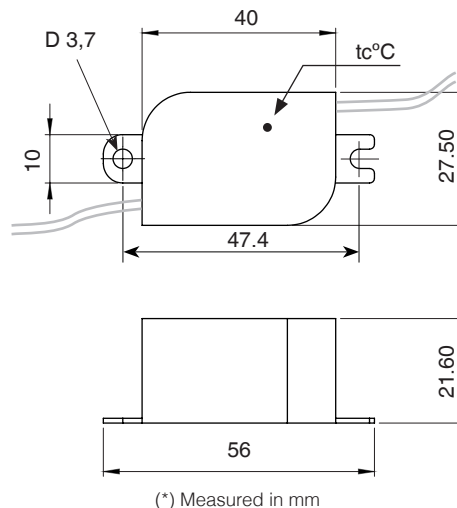
- AC/DC ECO driver
- 350/700mA current
- Pre-wired
- 3 years guarantee
- For power LED
- Class type II, without connection
- SELV voltage
- Compact design
- For fixtures integration



### TECHNICAL DATA

- Rango de entrada 100-240V
- $T_c = 80^\circ\text{C}$
- CLASE II
- $FP > 0,5$  plena carga
- 50-60 Hz
- Potencia = 1-3W
- Para incorporar, directiva CE
- Peso = 5g
- Soft Start
- Dimensiones BOX = 40x28x22mm
- Máxima longitud a la carga 4 mts
- Rango de trabajo -  $5^\circ\text{C}$  y +  $45^\circ\text{C}$

### DIMENSIONS

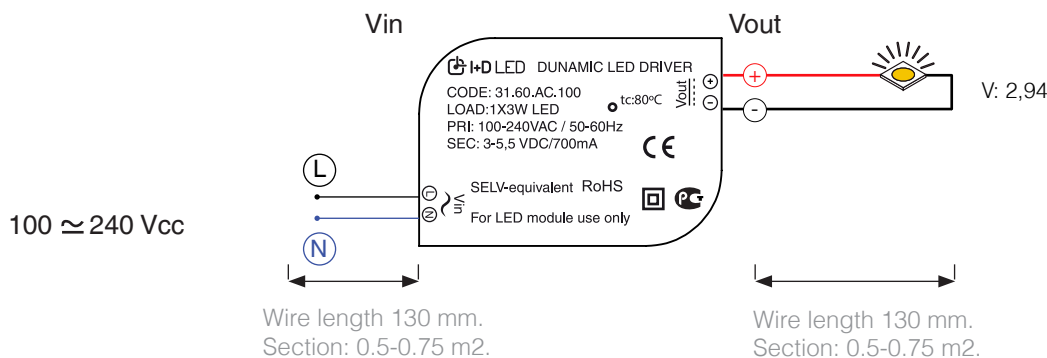


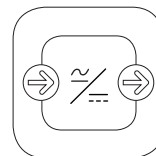
### SPECIFIC TECHNICAL DATA

#### SPECIFIC TECHNICAL DATA

CODE	INPUT VOLTAGE (V)	FREQUENCY (Hz)	COS FP (Phi)	OUTPUT VOLTAGE (V)	OUTPUT CURRENT (A)	NOMINAL POWER (W)	OUTPUT TOLERANCE (%)
31.60.AC.100	100	50	0,576	3,283	0,675	2,217	(+)-5
31.60.AC.100	240	50	0,543	3,283	0,673	2,212	(+)-5
31.60.AC.200	100	50	0,533	3,033	0,329	1,001	(+)-5
31.60.AC.200	240	50	0,526	3,033	0,329	0,999	(+)-5
31.60.AC.200	100	50	0,560	5,94	0,328	1,953	(+)-5
31.60.AC.200	240	50	0,545	5,94	0,328	1,953	(+)-5
31.60.AC.200	100	50	0,625	8,88	0,327	2,903	(+)-5
31.60.AC.200	240	50	0,512	8,88	0,327	2,903	(+)-5

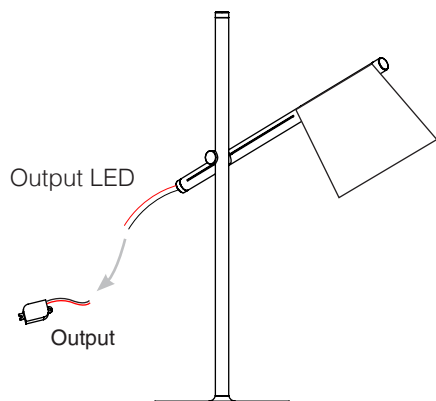
### CONNECTION EXAMPLE





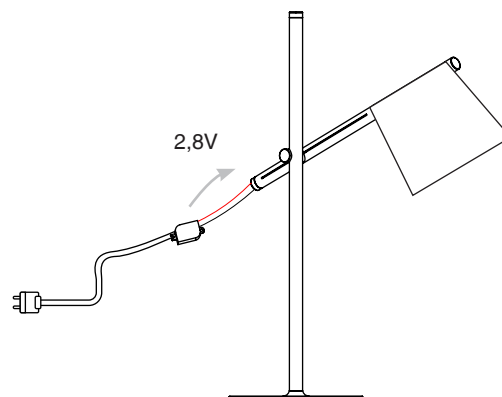
## CONNECTION EXAMPLE

1



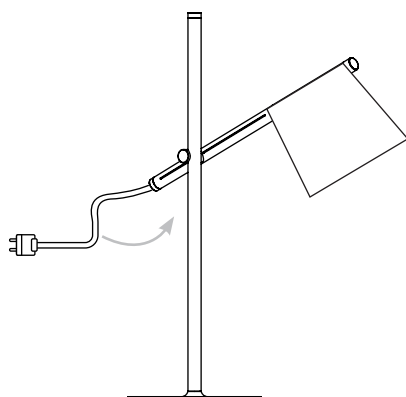
Connect driver to spotlight.

2



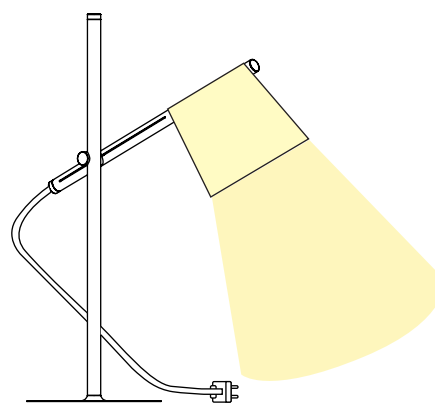
Connect to power plug.

3



Introduce module in the fixture and close.

4



Connect fixture to voltage.



### SECURITY AND INSTALLATION INFORMATION



#### ELECTRICAL POWER

DUNAMIC DRIVERS AC/DC must be feed at constant current; the energy source power must be in accordance with the quantity of connected modules for proper functioning of the module (or group of modules). Family have polarity, for this reason rated current, nominal power and polarity must be taken into account. If that is not the case, the module might be irreversibly damaged. DUNAMIC DRIVERS AC/DC require specific protection against voltage picks or electrical network noise.



#### ISOLATION

DUNAMIC DRIVERS AC/DC functions with SELV voltage, does not require active isolation of the component as long as maximum reference SELV voltage is not exceeded. In other case, it will be mandatory earth connection on all conductive components of the fixture or light engine when the number of modules in the series exceeds SELV voltage. The driver must be in compliance with CE, UL or valid analogous regulation.



#### ESD – STATIC ELECTRICITY INFORMATION

DUNAMIC DRIVERS AC/DC contains electronic components which are very sensible to static electricity. In this respect is it highly recommendable to always manipulate the items with appropriate ESD protection, and take adequate measures for safety matters. If you need further information please refer to our webpage [www.idled.eu](http://www.idled.eu).



#### MOUNTING AND INSTALLATION

I+D LED S.L. is not responsible for the installation of the product DUNAMIC DRIVERS AC/DC must be perfectly placed (and/or stick) on the lighting device, profile or base for a proper connection between modules and power source, respecting its nominal values DUNAMIC DRIVERS AC/DC are designed to be incorporated inside small size light fixtures, the driver has two flaps for this use. Always avoid mechanical stress, compression stress or superficial voltage stress over the electronic components and/or driver holder. If any type of chemical substance is used during the assembly of the luminaire or light engine, it must not have any type of curing by means of gas condensation; as these chemical substances may damage the LEDs and electronic components. The driver is delivered with a strip wire of 4-7mm (for board to board connectors or join by soft soldering). Total length of input and output wires is of L:130MM(\*).



#### TEMPERATURE

DUNAMIC DRIVERS AC/DC life-time depends to a great extent on operating temperature. Under no circumstance temperature should exceed the maximum permissible ( $T_c=80^{\circ}\text{C}$ ) limit here indicated. Exposure to higher temperatures might affect its long term proper functioning. Room temperature must be measured under worst-case conditions to

(\*). Wire maximum length and output polarity must be respected. I+D LED S.L. is not responsible for LEDs failure in case mounting and installation instructions are not properly followed.