

DUM PROFILE



This aluminium profile has been designed for the new Meraki 600-300-70/20-24V. It is perfect for small spaces where you need a good performance and flexibility. Easy to connect and assembly in wherever Surface. We provide it with Velcro or mounting clips and a kit with the caps and cable clamps for a better protection. We can provide it in different colours (we can customize it) it is perfect for architectural projects.

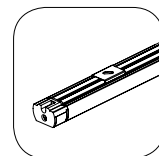


APPLICATION

PRODUCT DESCRIPTION



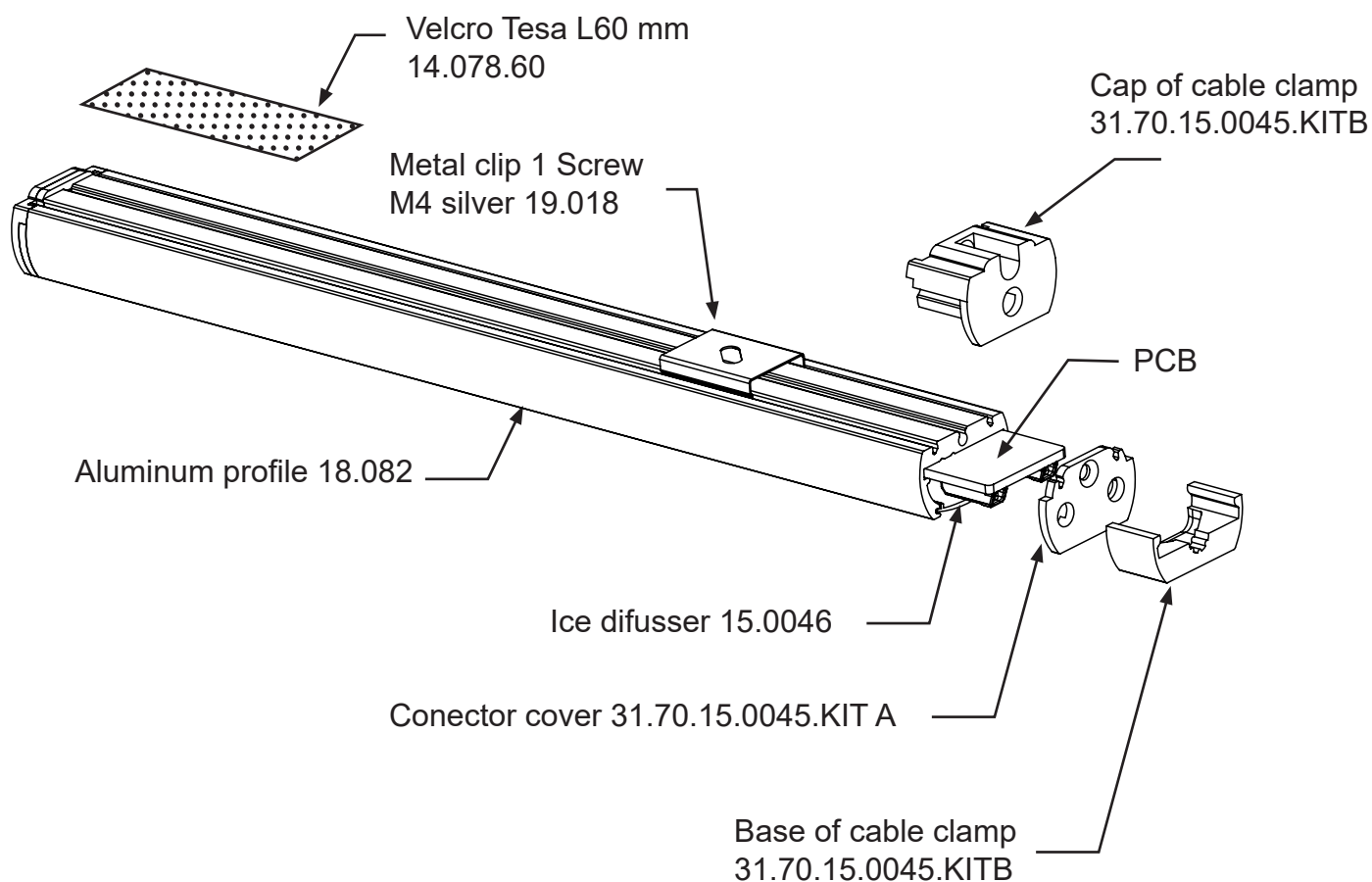
- Easy installation
- Polarity protection
- 3 years of guarantee
- Great beam amplitude and great homogeneity
- Alluminium profile 6060 T6 anodized
- Profile diffuser ABS V0 Opal
- Composition 3 different sizes PCB 600/300/70
- Power from 10 W/ml to 20 W/ml
- Power: 24 Vdc
- Supplied with caps and cable clamps for its protection



DUM PROFILE

SET FOR LUMINAIRE 1M

REFERENCE	DESCRIPTION	QTY
15.0046	ICE DIFFUSER FOR AL PROFILE. SENSOR 22.9x13.7x2000mm	1m
18.082	PROFILE OF ALUMINUM SENSOR 22.9x13.7 ANOD. SILVER	1m
31.70.15.0045.KITA	CONNECTOR COVERS KIT (+ SCREWS) ABS V0 BLACK + CONNECT	1
31.70.15.0045.KITB	CAP AND BASE OF CABLE CLAMP (+ SCREWS) ABS V0 BLACK	1
19.018	METAL CLIP 1 SCREW M4 SILVER FOR 18.082	4
14.078.60	VELCRO TESA REEL 5M WHITE 20mm 55276 L60MM	4



NOTE: The order of the PCB is in addition and is not included in the price of the metro kit

AVAILABLE SUPPLY CABLES

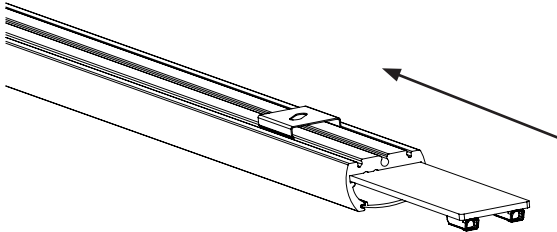
REFERENCIA	DESCRIPCION	QTY
51.18.082.1M	LAT. POWER CABLE 2x0,75mm ² PUNT. L:1000mm	1
51.18.082.2M	LAT. POWER CABLE 2x0,75mm ² PUNT. L:2000mm	1
51.18.082.4M	LAT. POWER CABLE 2x0,75mm ² PUNT. L:4000mm	1



DUM PROFILE

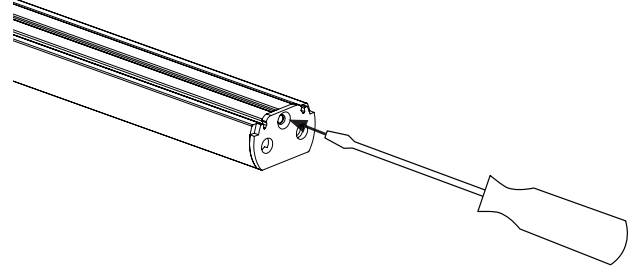
INSTALLATION AND CONNECTION EXAMPLE

1



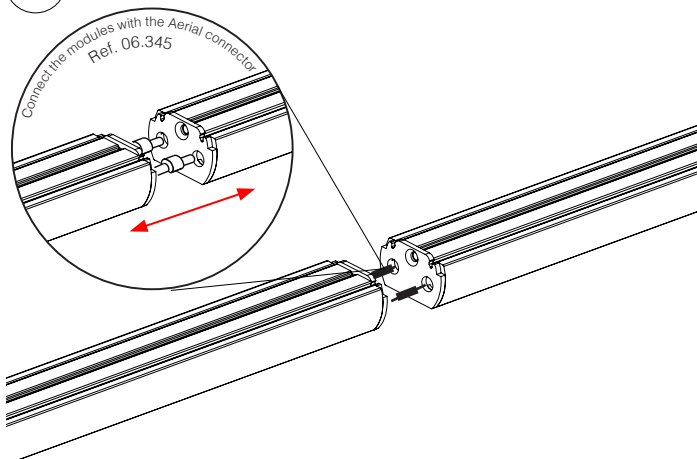
First slide the PCB inside the profile through the guides.

2



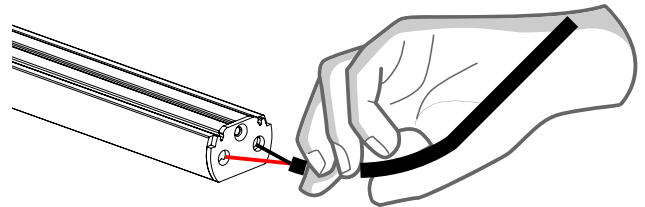
Then close the connector cover and screw it to the profile (is attached the screw din 7500 M2.5 L 6mm)

3



Next connect the profiles between them with the connectors male-male of the PCB

4

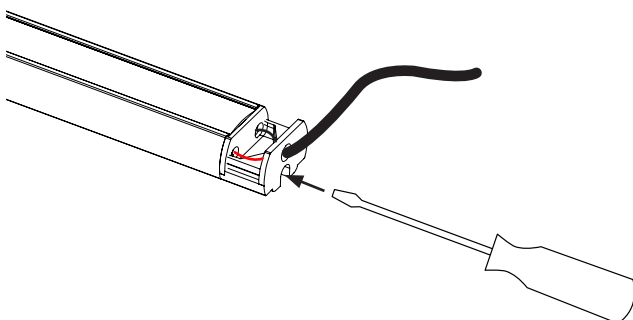


After that connect the rigid cable at the end of the profile without screw the connector cover.

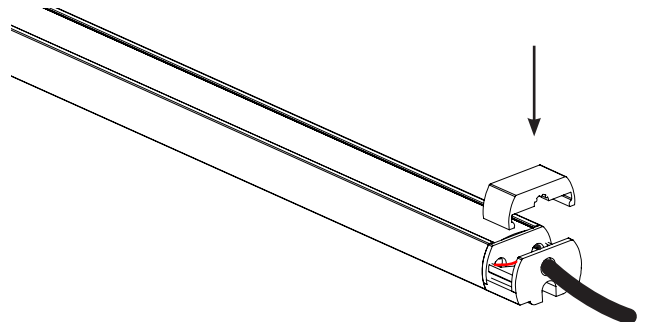
5

AIR Connector Ref. 06.345 (optional)		26 mm	Max.6A
--	--	-------	--------

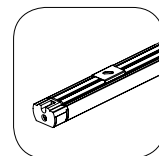
6



Next pass the base of the cable clamp trough the cable and screw it to the profile (is attached the screw din 7500 M2.5 L6 mm)



And finally close the cap of the cable clamp and push it to the base , and connect it to the power supply.



SECURITY AND INSTALLATION INFORMATION



ISOLATION

The DUM PROFILE haven't isolation, all the PCB or electric elements which its contain it will works in an SELV tensión, it isn't necessary any isolated with active parts.

It isn't necessary a ground connection of all the conductive parts of the luminarie o light engine. Only it is necessary an additional isolation between the PCB and the base/dissipator in the case that the tensión of the power supply LED exceed the work SELV tensión of 50V. The driver will have to comply at all times with current regulations with CE, UL or similars.



ESD - STATIC INFORMATION

The DUM PROFILE it hasn't electronic elements sensitive to ESD. The profile user should have the protection to not damage any electronic part that it will be in addition to the lineal profile. I+D LED is not responsible for the wrong manipulation of the client.



ASSEMBLY AND INSTALLATION

I+D LED S.L. is not responsible for the installation. The installer should use the DUM PROFILE well attached to the base where it works. With the mounting clip or the Velcro (it will provide in the kit) For not damage the luminarie, it must not have mechanical stress. If you use any chemical product for the installation it mustn't contain any type of curing that contains gas condensation, because this can damage the LED. The perfect cable for the conexión is rigid unipolar 0.4-0.5 mm² (supplied apart) For removing the cable only pull gently.



TEMPERATURE

The useful life of the modules of the DUM PROFILE will not depend on any technical characteristics of the profile. It should not be exceed the limits of the work temperature indicated by the manufacturer of the LED, because the module or the light engine operation it will be significantly affected. They should check the room temperature information in the worst situation for guarantee the hours of life and secure the guarantee. The profile and the accessories should be stored in a room temperature from -20°C to 60°C and 65% of humidity.



OPTICAL CHARACTERISTICS + CCT

The diffuser used has an efficiencies of 85%, +/-10% of mistake. The flow, CCT or a luminous impact that will differ with the information of the manufacturer of the LED, it don't be responsible of I+D LED. The opening of the finished modules is 120°.