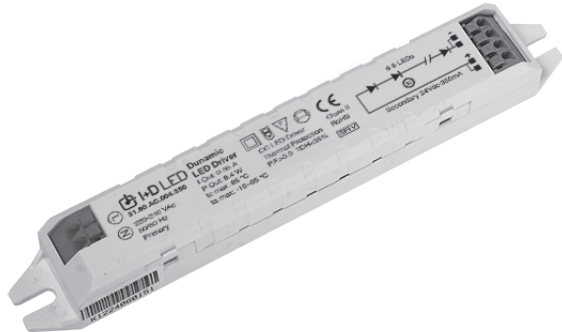


DUNAMIC LED DRIVERS

AC DRIVERS - LC SERIES PF 8,4W 350/700MA_12V/24V (146,6X21X19MM)



I+D LED introduces the new AC/DC drivers for LED of the LINER LC series. These are available in 350 and 700 mA, in constant current output and optional operating voltage of 12v or 24V. Ideal for low cost solutions that seek active power factor (PF). With standard terminals connection. Their tiny size makes them a perfect suit for small size luminaries. Designed for LED power from 2 to 8W. Its low price makes this driver a very attractive item for downlights, decorative lighting, furniture, displays, spots or similar where the unitary cost plays a central role.



In compliance with:

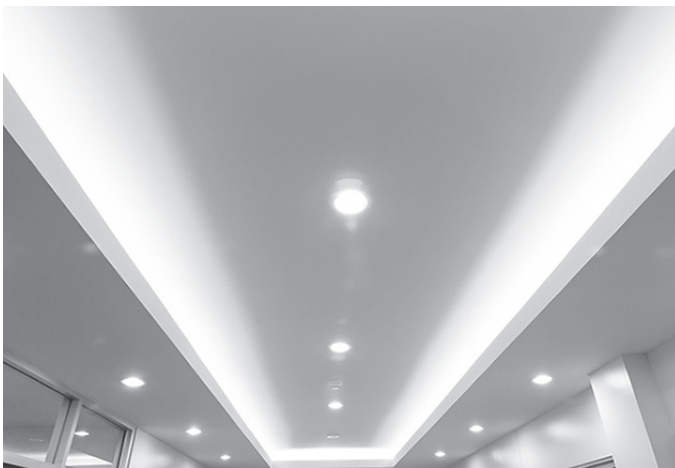
EN 61347-2-13:2014/EN 61347-1:2015

EN 55015:2013+A1:2015/EN 61547:2009

EN 61000-4-2:2009/EN 61000-4-3:2006+A2:2010

APPLICATION

PRODUCT DESCRIPTION



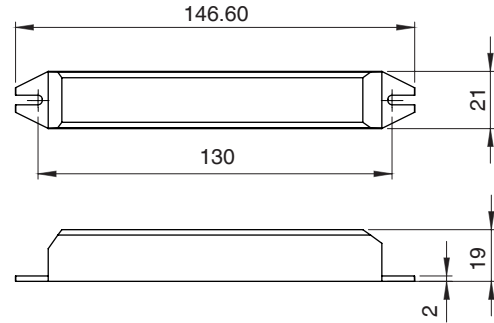
- AC/DC driver LC SERIES
- Operating current from 350mA to 700mA
- Output available in 12-24V
- Screw terminals
- 3 years guarantee
- For powerful LED
- Class II, no earth connection
- High PF
- SELV voltage
- Compact design



TECHNICAL DATA

- Input range 160V-240V / 50Hz
- Max. output power 8W
- Class II
- Short circuit protection
- $FP > 0,9$ at full load
- 350mA-700mA in CC // 12V-24V in CV
- For fixtures integration, CE directives compliance
- Weight 50g
- Wire section up to 1mm²
- Soft Start – Soft switch off
- Dimensions box = 147x21x19 mm
- Max. wire length to power source 3 m
- Operating temperature between -5°C and +50°C

DIMENSIONS



(*) Measured in mm

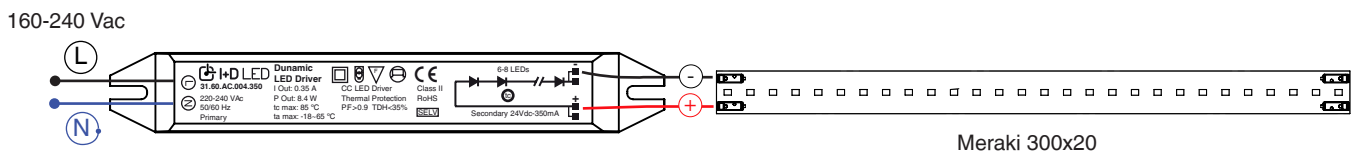
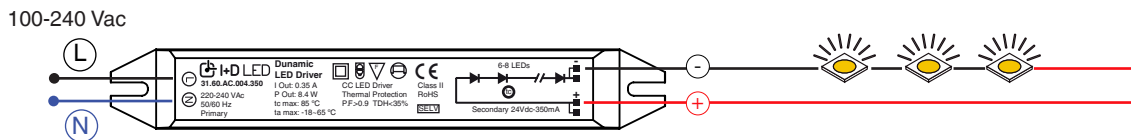
SPECIFIC TECHNICAL DATA

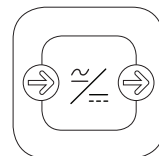
SPECIFIC TECHNICAL DATA

| CODE | TYPE | INPUT VOLTAGE (V) | FREQUENCY (Hz) | COS (Phi) | OUTPUT VOLTAGE (V) | OUTPUT CURRENT (A) | NOMINAL POWER (W) | OUTPUT TOLERANCE (%) | EFFICIENCY (%) |
|------------------|-------|-------------------|----------------|-----------|--------------------|--------------------|-------------------|----------------------|----------------|
| 31.60.AC.004.700 | 700mA | 230 | 50 | >0,86 | 3...12 | 0,7 | 2...8,4 | (+/-)5 | 75 |
| 31.60.AC.004.700 | 12V | 230 | 50 | >0,92 | 12 | 0,7 | 8,4 | (+/-)5 | 85 |
| 31.60.AC.004.350 | 350mA | 230 | 50 | >0,83 | 6...24 | 0,35 | 2...8,4 | (+/-)5 | 75 |
| 31.60.AC.004.350 | 24V | 230 | 50 | >0,91 | 24 | 0,35 | 8,4 | (+/-)5 | 85 |

Note: 12 and 24v constant voltage versions
The values of efficiencies and PF are at full load 95-100%

CONNECTION EXAMPLE





SECURITY AND INSTALLATION INFORMATION



ELECTRICAL POWER

DUNAMIC LED DRIVERS AC/DC must be feed at constant current; the energy source power must be in accordance with the quantity of connected modules for proper functioning of the module (or group of modules) connected in parallel. Family DUNAMIC have polarity, for this reason rated current, nominal power and polarity must be taken into account. If that is not the case, the module might be irreversibly damaged. DUNAMIC DRIVERS AC/DC require specific protection against voltage picks or electrical network noise.



ISOLATION

DUNAMIC DRIVERS AC/DC functions with SELV voltage, it does not require active isolation of the component as long as maximum reference SELV voltage is not exceeded. In other case, it will be mandatory earth connection on all conductive components of the fixture or light engine when the number of modules in the series exceeds SELV voltage. The driver must be in compliance with CE, UL or valid analogous regulation.



ESD – STATIC ELECTRICITY INFORMATION

DUNAMIC DRIVERS AC/DC contains electronic components which are very sensible to static electricity. In this respect it is highly recommendable to always manipulate the items with appropriate ESD protection, and take adequate measures for safety matters. If you need further information please refer to our webpage www.idled.eu.



MOUNTING AND INSTALLATION

I+D LED S.L. is not responsible for the installation of the product. DUNAMIC DRIVERS AC/DC must be perfectly placed (and/or stick) on the lighting device, profile or base for a proper connection between modules and power source, respecting its nominal values. DUNAMIC DRIVERS AC/DC are designed to be incorporated inside small size light fixtures, the driver has two flaps for this use. Always avoid mechanical stress, compression stress or superficial voltage stress over the electronic components and/or driver holder/protection box.

If any type of chemical substance is used during the assembly of the luminaire or light engine, it must not have any type of curing by means of gas condensation; as these chemical substances may damage the LEDs and electronic components.

The driver is delivered with 0.5-1.5mm² connection wires for screw connection terminals (included).



TEMPERATURE

DUNAMIC DRIVERS AC/DC life-time depends to a great extent on operating temperature. Under no circumstance temperature should exceed the maximum permissible (T_c=80°C) limit here indicated. Exposure to higher temperatures might affect its long term proper functioning. Room temperature must be measured under worst-case conditions to ensure life-time and keep product's guarantee. Store modules between -20 °C and +80 °C, and at a maximum humidity