

This driver from the family Dunamic is an Adaptator-Driver of 100-230V at low fixed voltage of 5V. With a good performance at to 2A of exit. They are perfect for feeding chargers and devices Wireless, DCDC at very low voltage. Its reduced size and lower price its make attractive for applications Low Cost. It is available in different versions and Homologations CE and UL, it depends on the market of the application.



In compliance with

EN 55032:2015

EN61000-3-2:2014, EN61000-3-3:2013

EN55024:2010 + A1:2015

EN61000-4-2:2009, EN61000-4-3:2006+A1:2008+A2:2010

EN61000-4-4:2012, EN61000-4-5:2014

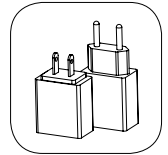
EN61000-4-6:2014, EN61000-4-8:2010, EN61000-4-11:2004

APPLICATION



PRODUCT DESCRIPTION

- Driver USB Low Cost
- Output voltaje 5V estándar
- USB-A type connector
- Up to 5W on output
- Compact design
- SELV Voltage
- 3 years of guarantee
- Perfect for Wireless devices

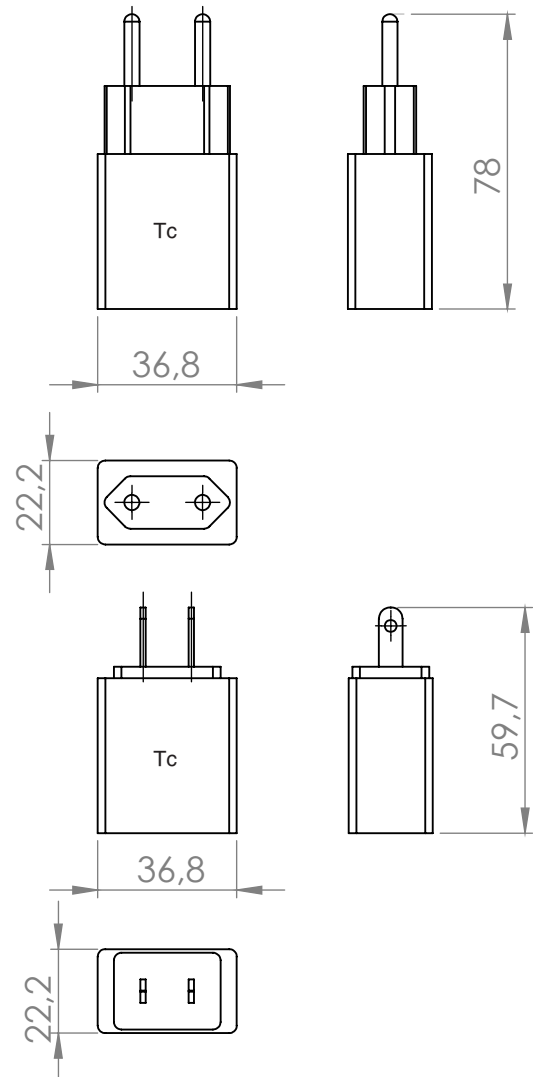


USB 5V2A - LC SERIES 5W

TECHNICAL DATA

- SELV Voltage V_{in} = 100-230 Vac
- Working range T_a = $-5^{\circ}\text{C} + 45^{\circ}\text{C}$
- V_{out} max = 5,5V
- Unit weight: 15g
- MOQ: 50 UDS
- Dimensions: 40x40x22mm
- P_{out} max = 5W
- Short circuit protection
- Overheat protection
- Overload protection
- Length max. Driver-Charguer/LED L: 5m
- Approximate box weight. 350 g
- Independent use in accordance with CE/UL directives

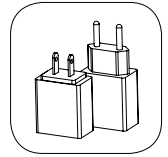
DIMENSIONS



SPECIFIC TECHNICAL DATA - ECO 140

CODE *	TYPE	TENSION INPUT (V)	FREQUENCY (Hz)	COS (phi)	TENSION OUTPUT (V)	CURRENT OUTPUT (mA)	NOMINAL POWER (W)	TOLERANCE OUTPUT (%)	EFFICIENCY (%) **
31.60.ADP.5V.CE.W	CE - WHITE COLOR	100-240	47-63HzW	0,98	3,2-5,5V	1900	5	(+/-) 5	75%
31.60.ADP.5V.CE.B	CE - BLACK COLOR	100-240	47-63Hz	0,98	3,2-5,5V	1900	5	(+/-) 5	75%
31.60.ADP.5V.CE.W	CE - WHITE COLOR	100-240	47-63Hz	0,96	3,2-5,5V	1900	5	(+/-) 5	60%
31.60.ADP.5V.UL.B	CE - BLACK COLOR	100-240	47-63Hz	0,96	3,2-5,5V	1900	5	(+/-) 5	60%

(*) These drivers do not include connection cables
 If you need custom cables please see next table.
 (**) The efficiency values are at full load.



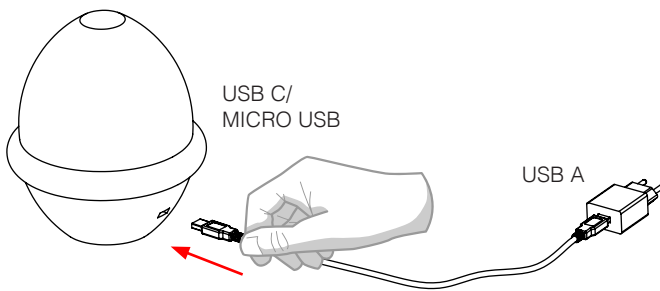
USB 5V2A - LC SERIES 5W

CABLE TYPE

CODE	COLOR	INPUT	OUTPUT	LENGTH	MOQ
51.01.W.1200.USBC	WHITE	USB-A TYPE	USB-C	1500 mm	100
51.01.B.1200.USBC	BLACK	USB-A TYPE	USB-C	1500 mm	100
51.01.W.1500.MICRO-USB	WHITE	USB-A TYPE	MICRO-USB	1500 mm	100
51.01.B.1500.MICRO-USB	BLACK	USB-A TYPE	MICRO-USB	1500 mm	100

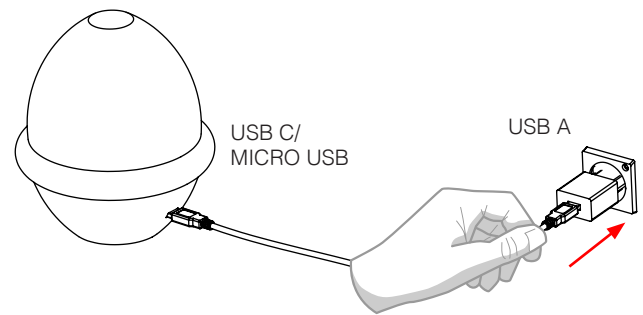
INSTALLATION AND CONNECTION EXAMPLE

1

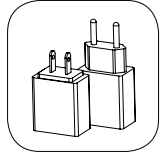


Connect the USB male output from one end of the cable to the luminaire (USB C / MICRO USB), connect the other end to the driver / adapter with USB A output, select the driver depending on your EU / UL geographical position

2



Connect the driver to the plug and it will be ready for use!



SECURITY AND INSTALLATION INFORMATION



SAFETY AND INSTALLATION FEEDING INFORMATION

The DUNAMIC DRIVERS AC / DC USB 5V2A - LC SERIES 10W must be powered at a constant and stabilized voltage. This power must be in accordance with the demand of the adapter. The DUNAMIC family has polarity and must be respected as well as the nominal voltages and currents. Otherwise the driver will be irreversibly damaged. A power grid with stabilized voltage, without voltage spikes and induced noise in the line must be used with DUNAMIC DRIVERS AC / DC.



ISOLATION

The DUNAMIC DRIVER AC / DC USB 5V2A - LC SERIES 10W works at a SELV voltage, no insulation with active parts is necessary, provided that SELV voltages are not exceeded and as long as the connections are well insulated and guaranteed within the luminaire The driver complies with current CE / UL regulations.



ESD – STATIC ELECTRICITY INFORMATION

The DUNAMIC DRIVERS AC / DC USB 5V2A - LC SERIES 10W have electronic components especially sensitive to electrostatics. Therefore, it is recommended that appropriate measures be taken to handle these components and that in no case the DRIVERS be handled without the corresponding ESD protection. If you need more information visit our website where you can find more information on this topic. www.idled.eu.



MOUNTING AND INSTALLATION

I+D LED S.L. It is not responsible for the installation. The installer must place the DUNAMIC DRIVERS USB 5V2A - LC SERIES 10W correctly and respecting the nominal electrical values. The DUNAMIC DRIVERS USB 5V2A - LC SERIES 10W are designed to work independently, they have two types of plugs depending on the geographical area. In all cases, compression stress or surface tension on the electronic components and / or driver housing must be avoided. Compatible USB-A cables with different terminations will be used as required MICRO USB - USB-C.



TEMPERATURE

The life of DUNAMIC 5V2A USB DRIVERS - LC SERIES 10W AC / DC depends heavily on temperature. Under no circumstances should the indicated working temperature limits be exceeded ($T_c = 80^\circ \text{C}$), since the response and operation of the device will be significantly affected. The ambient temperature data should be checked in the worst case to guarantee the hours of life as well as ensure the warranty. The devices must be stored at a temperature between -20°C and $+80^\circ \text{C}$ of 65% humidity.