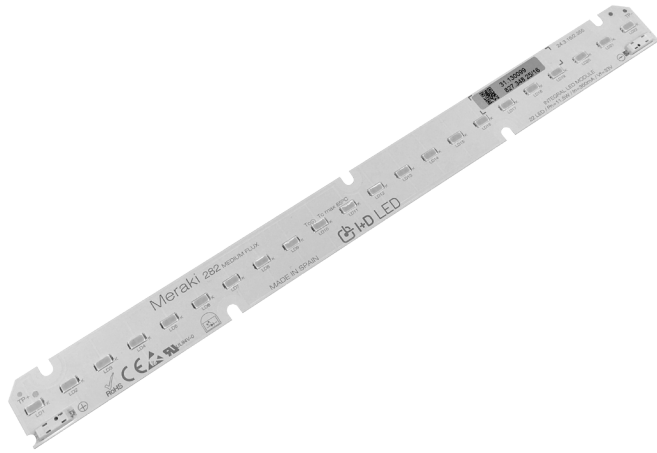
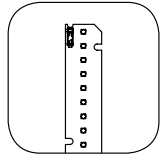


MERAKI LED MODULES

MEDIUM FLUX 282 - LINEAL CC

(280X24MM)



New modules MEDIUM FLUX 282 from MERAKI LINEAL CC family are ideal for small size fixtures that require high performance and excellent lm/\$ relation. These modules are very simple to connect and to assembly to any surface. Specially indicated for the production of linear lighting, both direct and indirect.

The modules have two different functioning: high flux and high efficiency. Depending on its input current, heatsinks could be avoided. Modules are available on diverse CCT and SELV voltage.



In compliance with:

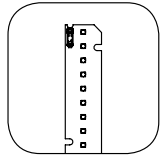
IEC 62031 / IEC 62471 / IEC 62717

APPLICATION

PRODUCT DESCRIPTION



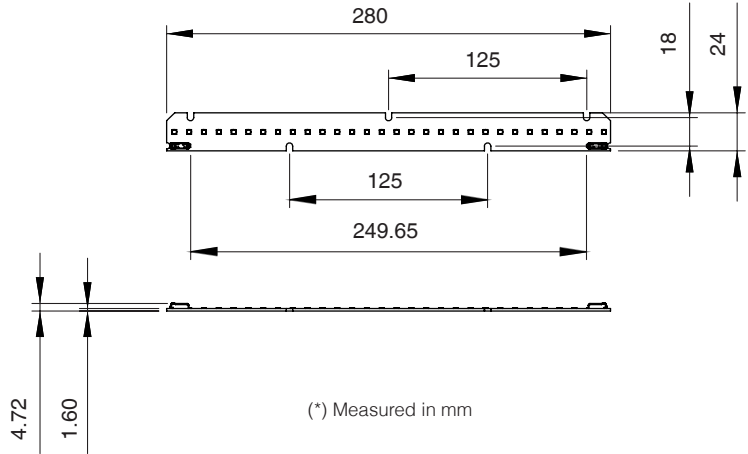
- Available in 2700K-3000K-4000K-5000K
- CRI>80
- Efficiency > 140 lm/W
- Colour tolerance 3 SDCM
- Easy to install
- Space-saving design
- Life-time exceeds 50.000 hrs.
- 5 years guarantee
- High lm/\$ relation



TECHNICAL DATA

- SELV Voltage
- Available in 2700-3000-4000-5000K.
- Typical CRI80, CRI90 available under request.
- Operating temperature between -20°C and +45°C
- EN 61471:2008 group 1
- Standard Tc 65°C
- LED viewing angle 120°
- Weight 25 g
- MOQ 44 units
- Packaging box weight (approx.) 1100 g
- PWM dimmable.

DIMENSIONS



SPECIFIC TECHNICAL DATA

SPECIFIC TECHNICAL DATA

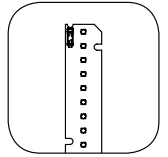
CODE	CCT	RATED CURRENT mA	VOLTAGE Min (V)	VOLTAGE Typ(V)	VOLTAGE Max(V)	NOMINAL POWER (W)	LUMINOUS EFFICACY (lm/W)	TOTAL FLUX (lm)	PHOTO METRIC CODE
31.13.07001	2700K	200	30,8	31,8	35,2	6,42	131,72	846,1	827.348
31.13.07001	2700K	350	30,8	32,7	35,2	11,54	125,41	1447,6	827.348
31.13.07001	2700K	500	30,8	33,5	35,2	16,81	115,42	1941,1	827.348
31.13.07002	3000K	200	30,8	31,8	35,2	6,42	135,32	869,3	830.348
31.13.07002	3000K	350	30,8	32,7	35,2	11,51	126,73	1458,7	830.348
31.13.07002	3000K	500	30,8	33,5	35,2	16,81	117,46	1975,4	830.348
31.13.07003	4000K	200	30,8	32,2	35,2	6,50	137,18	892,3	840.348
31.13.07003	4000K	350	30,8	33,1	35,2	11,65	125,99	1467,9	840.348
31.13.07003	4000K	500	30,8	33,7	35,2	16,91	118,79	2009,5	840.348
31.13.07004	5000K	200	30,8	32,2	35,2	6,50	140,74	915,4	850.348
31.13.07004	5000K	350	30,8	33,1	35,2	11,65	128,25	1494,2	850.348
31.13.07004	5000K	500	30,8	33,7	35,2	16,91	120,79	2043,6	850.348

Note: It is required to keep Tc < 65°C.

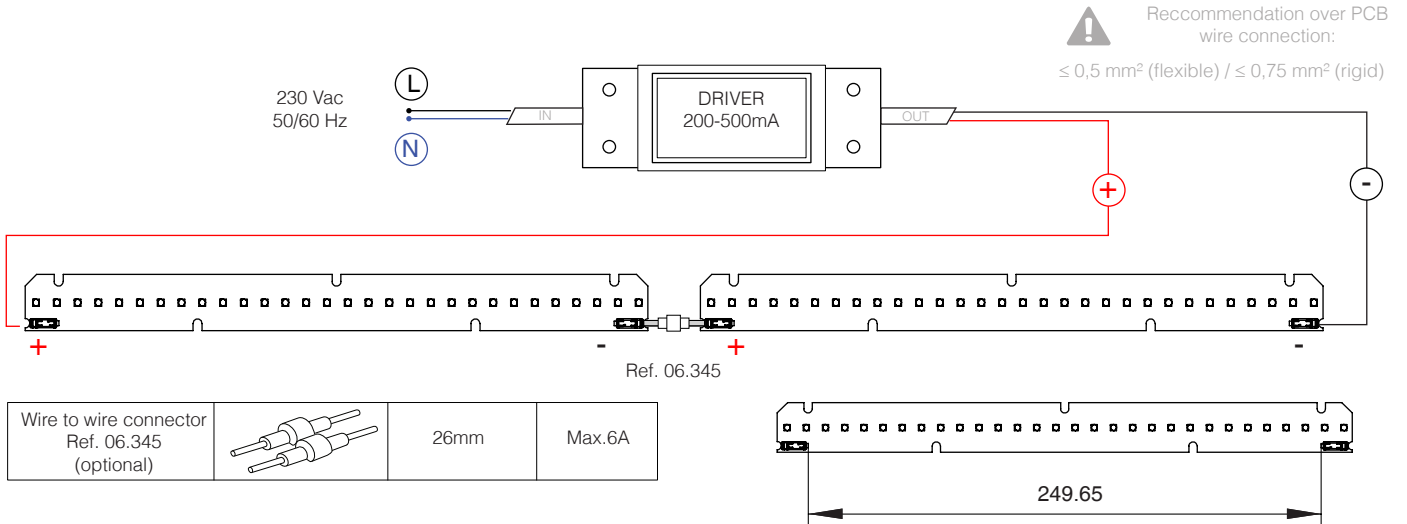
Tolerance range for flux measurements of 8%.

For PCB supply including high adhesion thermal tape, please add the letter "C" behind the product code. Example: 31.13.07004C

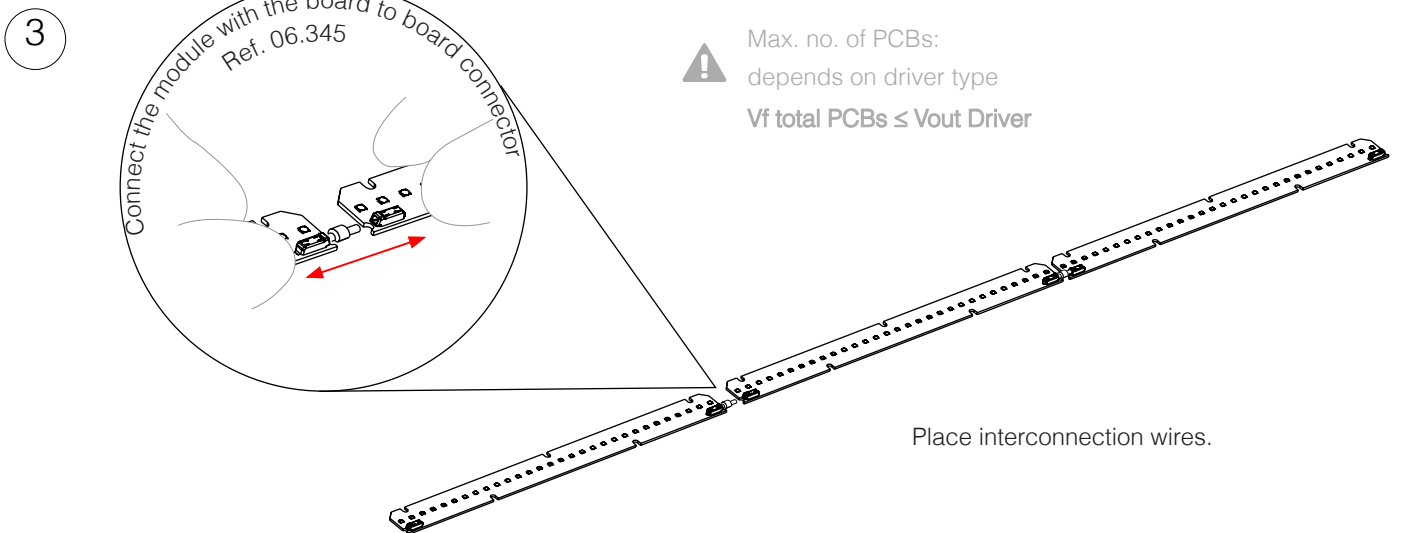
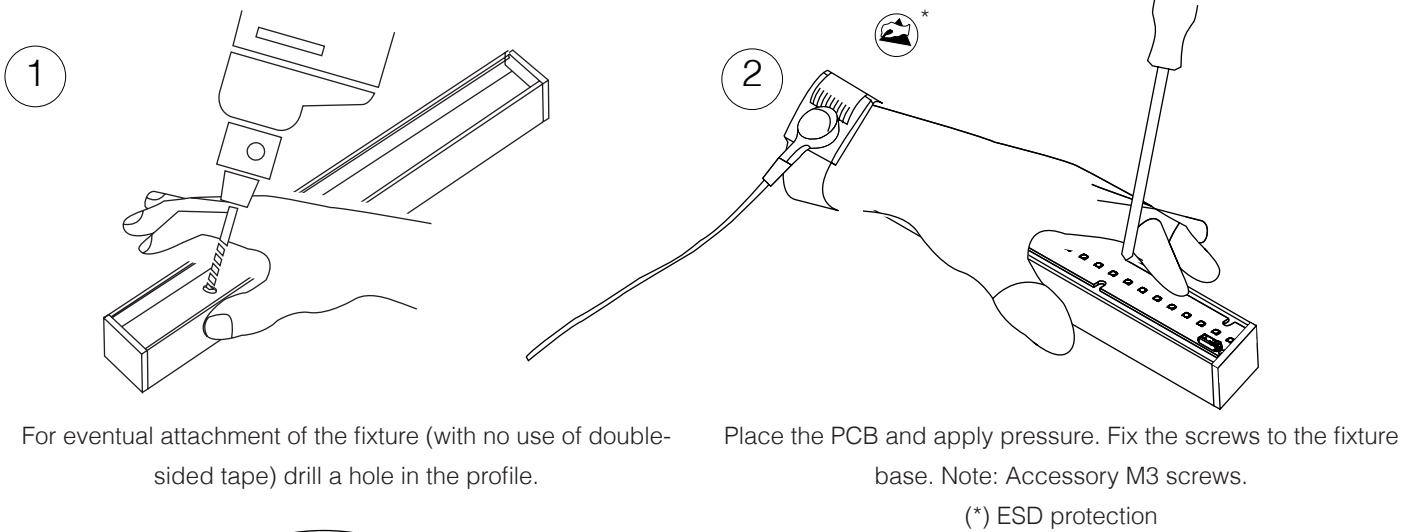
QTY LED 22 CRI >80

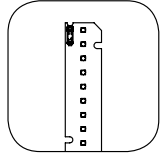


DRIVER + MODULE CONNECTION EXAMPLE

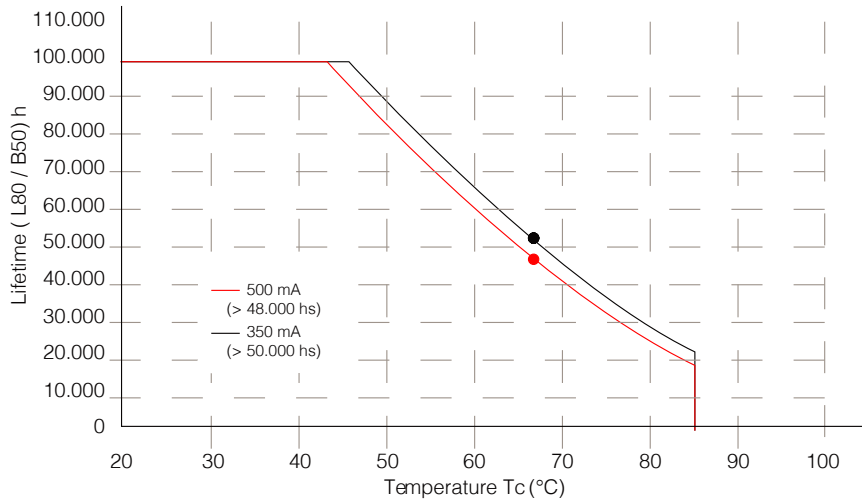


INSTALLATION AND CONNECTION EXAMPLE





Lifetime Derating for MERAKI LINEAL MEDIUM FLUX 282



SECURITY AND INSTALLATION INFORMATION



ELECTRICAL POWER

MERAKI MEDIUM FLUX 282 must be fed at constant current; the energy source power must be in accordance with the quantity of connected modules for proper functioning of the module (or group of modules). Family MERAKI LED MODULES have polarity, for this reason rated current, nominal power and polarity must be taken into account. If that is not the case, the module might be irreversibly damaged. MERAKI LED MODULES require specific driver protection against short-circuit currents, temperature raise and overloads.



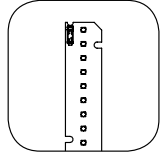
ISOLATION

MERAKI MEDIUM FLUX 282 functions with SELV voltage, does not require active isolation of the component as long as maximum reference SELV voltage is not exceeded. In other case, it will be mandatory earth connection on all conductive components of the fixture or light engine when the number of modules in the series exceeds SELV voltage. The driver must be in compliance with CE, UL or valid analogous regulation.



ESD – STATIC ELECTRICITY INFORMATION

MERAKI MEDIUM FLUX 282 contains electronic components which are very sensible to static electricity. In this respect is it highly recommendable to always manipulate the items with appropriate ESD protection, and take adequate measures for safety matters. If you need further information please refer to our webpage www.idled.eu.



MOUNTING AND INSTALLATION

I+D LED S.L. is not responsible for the installation of the product. MERAKI MEDIUM FLUX 282 must be perfectly placed (and/or stick) on the lighting device, profile or base for a proper connection between modules and power source. Thermal transference between PCB and luminaire body must be at its highest, in order to ensure that fixture temperature does not exceed T_c in any case.

If any type of chemical substance is used during the assembly of the luminaire or light engine, it must not have any type of curing by means of gas condensation; as these chemical substances may damage the LEDs.

The module will be delivered with 5 pre-made holes of $D=4$ mm according to dimensions drawing (ZHAGA L2W2). Maximum torque for fixing recommended 0,4-0,5 Nm to avoid mechanical stress. Ideal wire for this connection type is unipolar rigid wire of 0,4-1mm², with a strip wire of 6,5-7MM. To remove wire, push orifice on the connector and pull smoothly.



TEMPERATURE

MERAKI MEDIUM FLUX 282 life-time depends to a great extent on operating temperature. Under no circumstance temperature should exceed the maximum permissible ($T_c=65^{\circ}\text{C}$) limit here indicated. Exposure to higher temperatures might affect its long term proper functioning. Room temperature must be measured under worst-case conditions to ensure life-time and keep product's guarantee. Store modules between -20°C and $+80^{\circ}\text{C}$, and at a maximum humidity level of 65%.



OPTICAL CHARACTERISTICS + CCT

Measurement of LED discrete points may have variations in regards on the CCT temperature here described, with a variance of 3SDCM for white and ± 5 nm for coloured LEDs. CCT shifts $\pm 0,001$ at 6.000 hrs. 3 SDCM are declared over the complete module. Modules viewing angle is 120° .